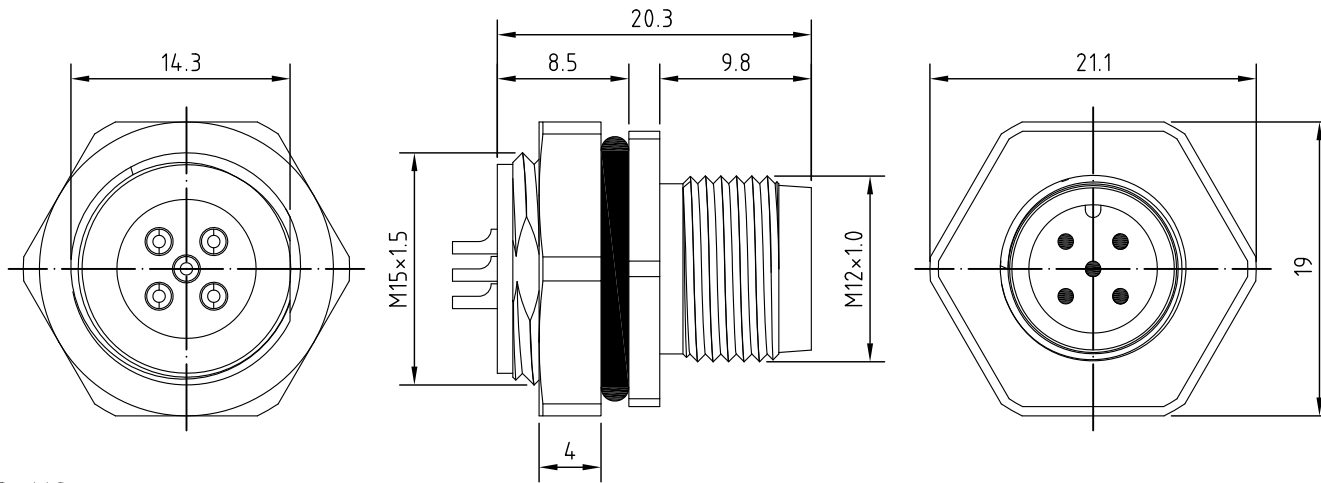


Recommended Panel cut-out

REV.	Description	Date
1	add 12P arrangement	2012/1/2
2	upgrade drawing	2014/3/24
3	add recommended panel cut-out	2018/4/16
4	panel cut-out dimension revise	2020/9/16

Specification of connector

Locking system : screw M12
 Termination : solder
 Shell protection : IP68
 Contact resistance : $\leq 10\text{m}\Omega$
 Insulation resistance : $\geq 10\text{M}\Omega$



RoHS
 TOLERANCE X \pm 0.5 .X \pm 0.3

4	Nut	PA/94V-0
3	O ring	Rubber
2	Pin	Brass/Gold plated
1	Body	PA/94V-0
Item	Description	Material&Plating

CONTACT ARRANGEMENT FRONT VIEW (MALE)	2P	3P	4P	5P	6P	7P	8P	12P
Rated voltage	250V			125V			60V	
Rated current	5A			2A			1A	



Unicable Co., Ltd. 國陽電業有限公司

5F., No. 111-33, Sec. 4, San Ho Road., San Chung Dist., New Taipei City, Taiwan
<http://www.unicable.com.tw> Tel:+886-2-2286-2122 Fax:+886-2-2286-1010

DATE	2020/9/16	PART NO.	UT-SD170F6-XP
DWN	GINA	REV.	4
CHK			
UNIT	MM		

ITEM	Sensor Connector M12
------	----------------------